

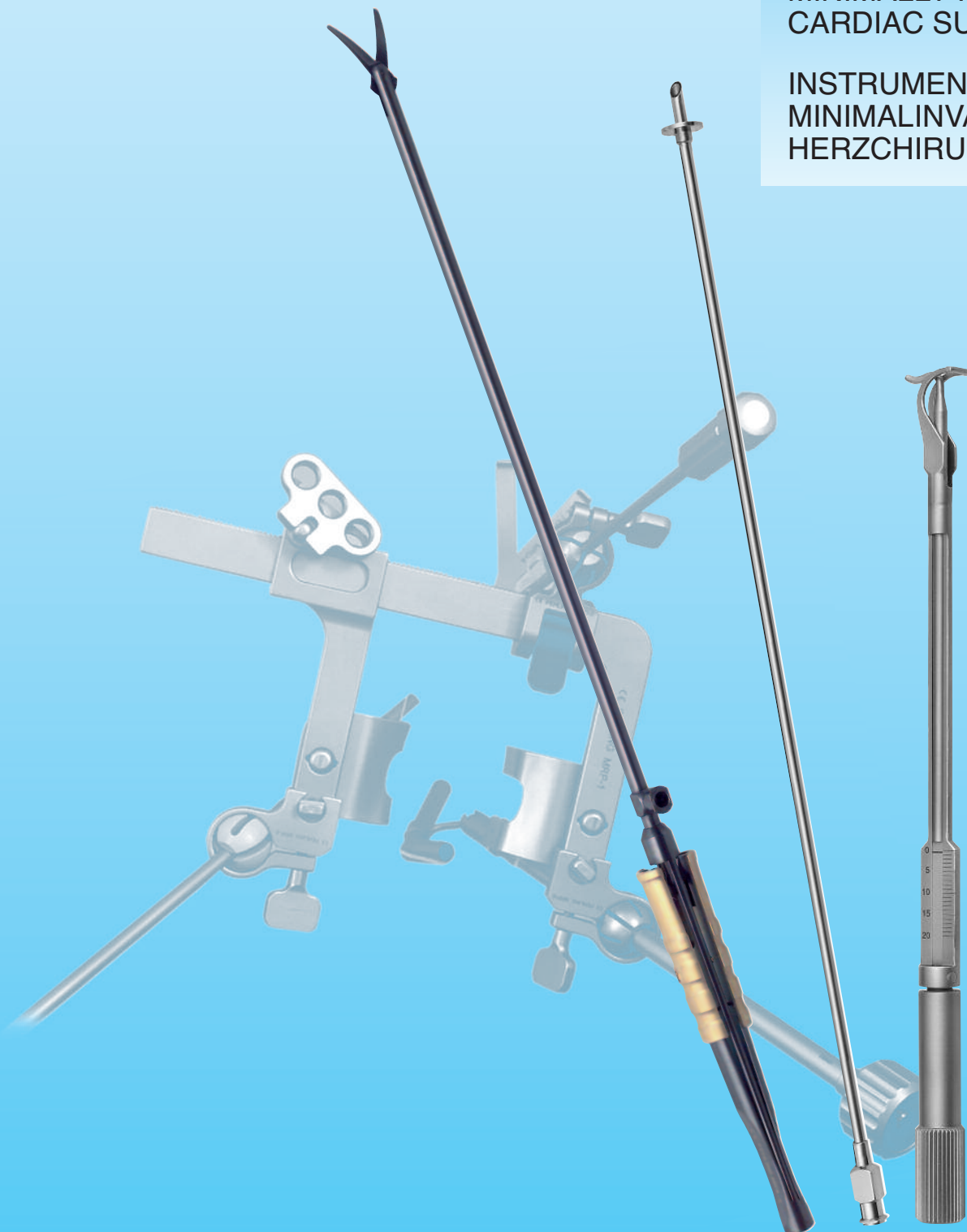
FEHLING...

... THE DIFFERENCE

MICS

INSTRUMENTS FOR
MINIMALLY INVASIVE
CARDIAC SURGERY

INSTRUMENTE FÜR
MINIMALINVASIVE
HERZCHIRURGIE



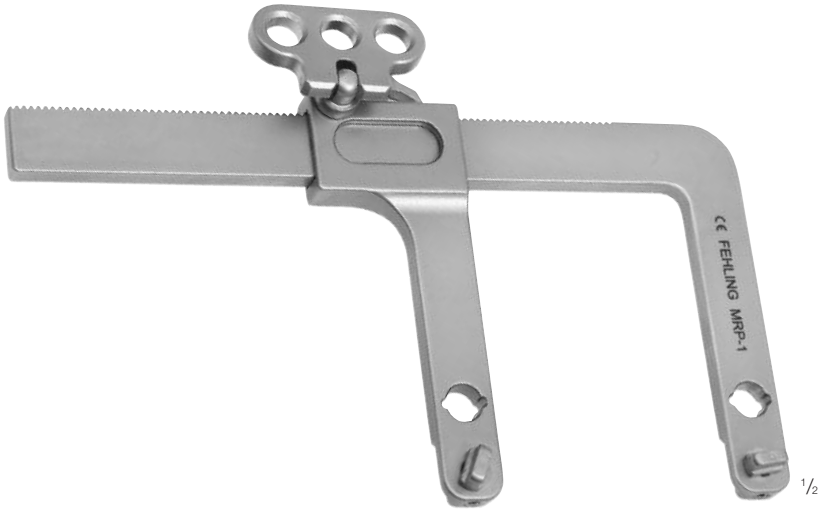
FEHLING

SURGICAL INSTRUMENTS, INC.

509 Broadstone Lane · Acworth, GA 30101

Toll Free: 1-800-FEHLING (800-3345464), Fax: 770 794-0122, E-Mail: info@fehlingsurgical.com

RETRACTOR SYSTEM
RETRAKTORSYSTEM



INTRACOSTAL RETRACTOR
INTRACOSTALSPREIZER

MRP-1



RETRACTING BLADES (PAIR)
HALTEBLÄTTER (PAAR)

BLADE DEPTH BLATTTIEFE	
35 x 40 mm	MRP-2
35 x 50 mm	MRP-3
35 x 60 mm	MRP-4



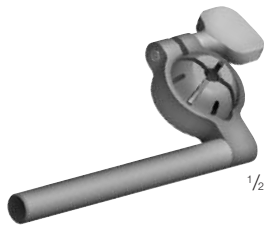
BLADE GUIDE (D4)
HAKENFÜHRUNG (D4)
220 mm

MRN-3



BALL JOINT ADAPTER (D4)
KUGELGELENKADAPTER (D4)

MRO-0



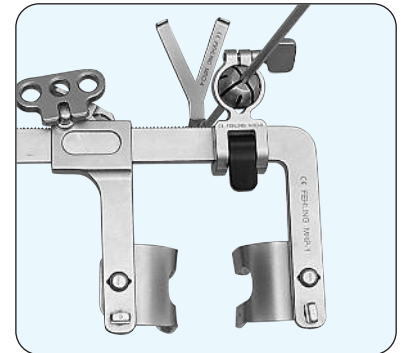
BALL JOINT ADAPTER (D4)
WITH DISTANCE ELEVATOR
KUGELGELENKADAPTER (D4)
MIT DISTANZHEBEL

MRR-2

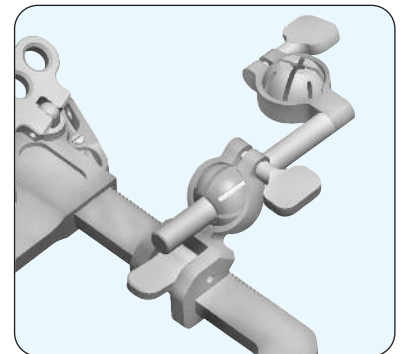


BALL JOINT ADAPTER (D8) FOR MRR-2
KUGELGELENKADAPTER (D8) FÜR MRR-2

MRR-1



exemplary configuration
Konfigurationsbeispiel



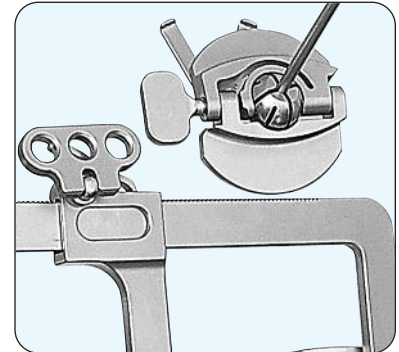
exemplary configuration
Konfigurationsbeispiel

RETRACTOR SYSTEM
RETRAKTORSYSTEM



FIXATION DEVICE FOR MRN-3
(FOR EXTERNAL STAB INCISION)
FIXIERVORRICHTUNG FÜR MRN-3
(FÜR SEPARATE STICHINZISION)

MRO-9



*exemplary configuration
Konfigurationsbeispiel*



GUIDING FORCEPS
FÜHRUNGSZANGE
260 mm
MRN-7



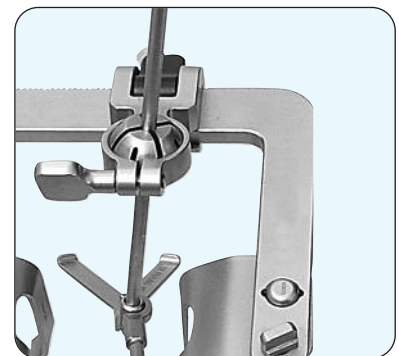
ATRIAL HOOK
VORHOFGABEL

30 mm	MRO-2
40 mm	MRO-3
50 mm	MRO-4
60 mm	MRO-5
70 mm	MRO-6



ATRIAL BLADE
VORHOFBLATT

8 x 30 mm	MRN-4
8 x 40 mm	MRN-5
8 x 50 mm	MRN-6



*exemplary configuration
Konfigurationsbeispiel*

RETRACTOR SYSTEM
RETRAKTORSYSTEM



BLADE GUIDE (D8)
HAKENFÜHRUNG (D8)
200 mm
MRF-0V



BALL JOINT ADAPTER (D8)
KUGELGELENKADAPTER (D8)
LEFT / LINKS
MRP-5



BALL JOINT ADAPTER (D8)
KUGELGELENKADAPTER (D8)
RIGHT / RECHTS
MRP-6

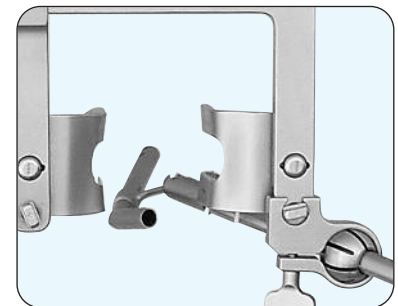


LATERAL ATRIAL RETRACTOR /
SUCTION DEVICE
SAUGNIEDERHALTER

60 mm	MRJ-5
70 mm	MRJ-6
80 mm	MRJ-7



EINFÜHRZANGE FÜR MRJ-5,6,7
INSERTION FORCEPS FOR MRJ-5,6,7
MRJ-4



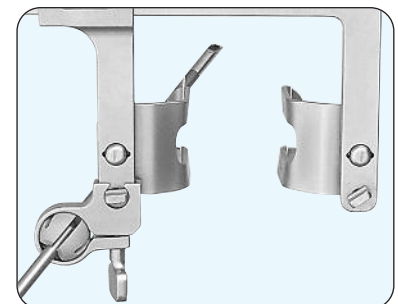
*exemplary configuration
Konfigurationsbeispiel*



PEEK
BALL JOINT ADAPTER FOR ENDOSCOPES
KUGELGELENKADAPTER FÜR ENDOSKOPE
D = 5,5 mm
MRP-7







PEEK
BALL JOINT ADAPTER FOR ENDOSCOPES
KUGELGELENKADAPTER FÜR ENDOSKOPE
D = 10,5 mm
MRP-8







*exemplary configuration
Konfigurationsbeispiel*

CERAMO® HCR

FORCEPS / PINZETTEN

			
1 x 10 mm	3 x 15 mm	2,8 x 15 mm	2,8 x 15 mm
SUTURE NAHT	VALVE KLAPPE	NON-TRAUMATIC ATRAUMATISCH	
345 mm	350 mm	350 mm	350 mm
MRA-5	MRA-0	MRA-4	MRA-3

NEEDLE HOLDERS / NADELHALTER

			
2 x 10 mm	3 x 10 mm	3 x 10 mm	3 x 10 mm
TCM		TC	
340 mm	340 mm	340 mm	340 mm
MRB-2	MRB-1	MRG-9	MRG-2

SCISSORS / SCHEREN

				
45°	90°			
VASCULAR GEFÄSS		VALVE KLAPPE		DISSECTING PRÄPARATION
345 mm	335 mm	350 mm	350 mm	350 mm
MRA-8	MRA-9	MRA-7	MRD-7	MRA-6



335-350 mm

SHAFT DIAMETER = 5.0 mm
SCHAFTDURCHMESSER = 5,0 mm

CERAMO® HCR



340-370 mm



GRASPING FORCEPS
ORGANFASSZANGE

370 mm

MRL-8



KNOT PUSHER
KNOTENSCHIEBER

340 mm

MRB-6



CLIP APPLIER*
CLIPANZLEGEZANGE*

340 mm

SMALL	MEDIUM
-------	--------

MRG-3	MRG-4
-------	-------

*FOR HORIZON CLIPS
FÜR HORIZON CLIPS



340-350 mm



1 x 7 mm

NERV HOOK
NERVHAKEN

340 mm

MRB-4



10 mm

VALVE INSPECTOR
KLAPPENPRÜFINSTR.

350 mm

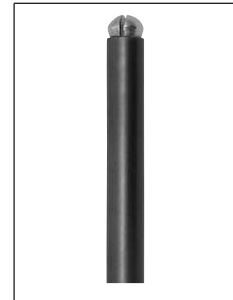
MRL-2



KNOT PUSHER
KNOTENSCHIEBER

340 mm

MRK-9



SCALPEL HANDLE*
SKALPELLGRIFF*

350 mm

MRL-4

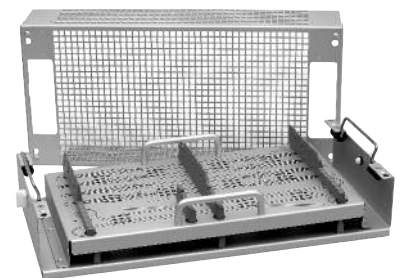


MAGNETIC FINDER
MAGNETSTAB

350 mm

MRL-5

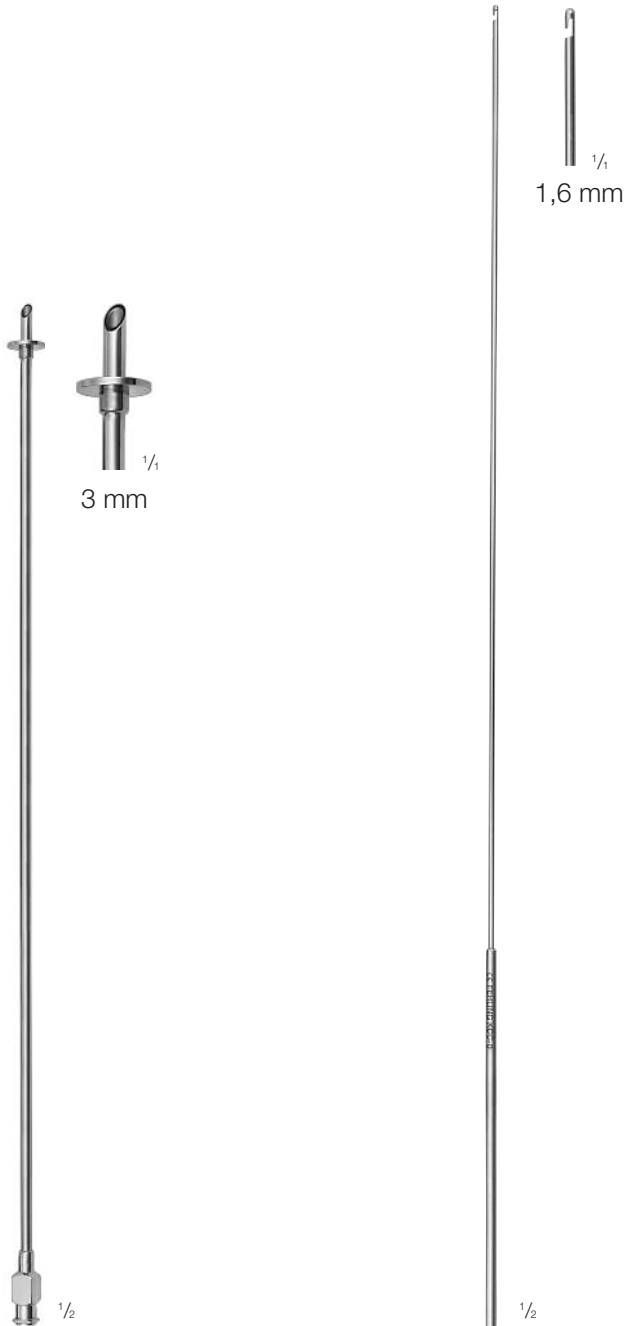
*FOR BEAVER BLADES
FÜR BEAVER MESSER



TRAY FOR HCR INSTRUMENTS
CONTAINER FÜR HCR-INSTRUMENTE
550 x 250 x 100 mm

MRC-9

HCR



CANNULA FOR CARDIOPLEGIA
KARDIOPLEGIEKANÜLE
270 mm
MRL-0

SUTURE HOOK
FADENFÄNGER
350 mm
KCC-0

A black handle with a yellow textured grip at the top. A detail view shows the handle with a diameter of 1/2.

CERAMO®
HANDLE FOR KCC-0
GRIFF FÜR KCC-0
110 mm
ABB-1



TROCAR WITH PYRAMIDAL TIP
TROKAR MIT DREIKANTSPITZE
10 x 180 mm

MRM-7



PORT WITH FIXATION THREAD
PORT MIT FIXIERGEWINDE
10 x 100 mm

MRM-9



PLANE PORT
GLATTER PORT
10 x 100 mm

MRM-8



CHORDAE GAUGE/
KNOT ASSISTENT
CHORDAELEHRE/
KNOTENASSISTENT
350 mm

MNV-7



CHORDAE / CUSP
RETRACTOR
CHORDAE- /
SEGELRETRAKTOR
350 mm

MNV-8



SUPERPLAST
CROSS-SECTION SIZER
QUERSCHNITTSLEHRE
220 mm

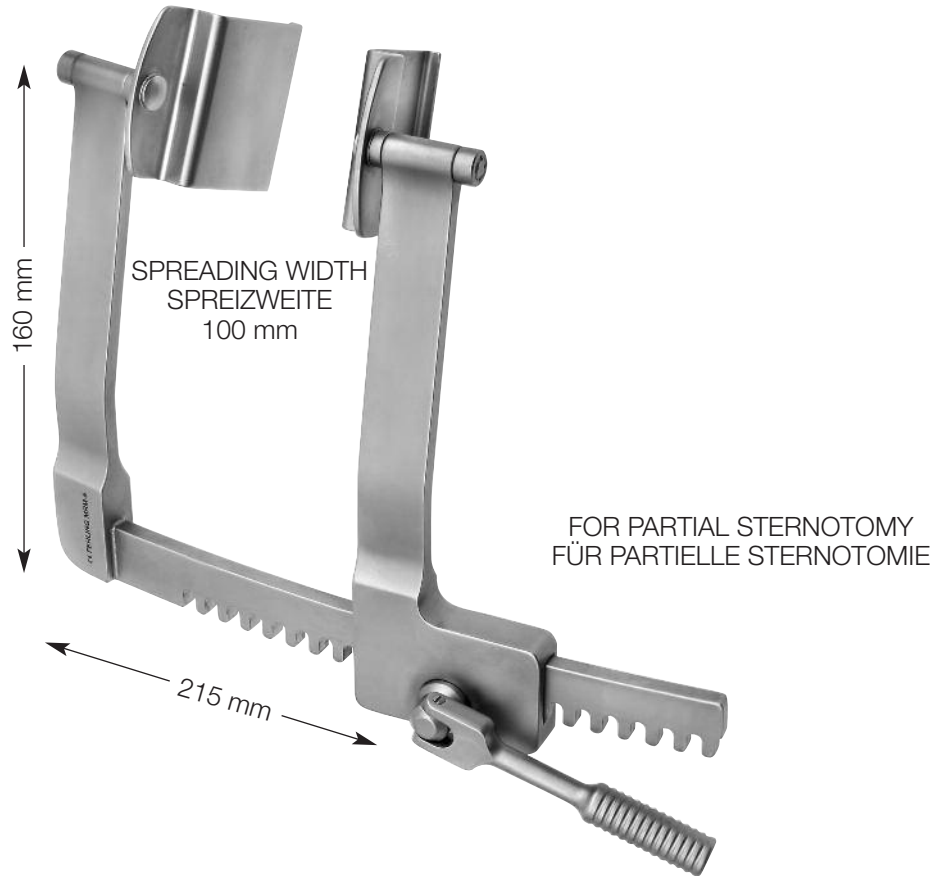
Ø A / B	
18 / 20 mm	MXN-1
19 / 21 mm	MXN-6
22 / 24 mm	MXN-2
23 / 25 mm	MXN-7
26 / 28 mm	MXN-3
27 / 29 mm	MXN-8
30 / 32 mm	MXN-4
31 / 33 mm	MXN-9
34 / 36 mm	MXN-5



CALIBER FOR AORTIC VALVE CUSP
LEHRE FÜR AORTENKLAPPENSEGEL
200 mm
MSS-1



RULER
MESSSTAB
160 mm
MNV-0







MARJAN



BLADE SIZE BLATTGRÖSSE	
50 x 35 mm	MRM-5
50 x 45 mm	MRM-6

CERAMO® HCR




FORCEPS / PINZETTEN

			
1,2 x 8 mm	1,2 x 15 mm	1,2 x 12 mm	1,2 x 12 mm
SUTURE NAHT	NON-TRAUMATIC ATRAUMATISCH		
280 mm	290 mm	280 mm	280 mm
MRC-1	MRC-2	MRC-3	MRC-0

NEEDLE HOLDERS / NADELHALTER

	
1 x 10 mm	2 x 10 mm
TCM	
280 mm	280 mm
MRC-5	MRC-4

SCHEREN / SCISSORS

		
45°	125°	
VASCULAR GEFÄSS		DISSECTING PRÄPARATION
280 mm	280 mm	280 mm
MRC-7	MRC-8	MRC-6

SHAFT DIAMETER = 3.5 mm
SCHAFTDURCHMESSER = 3,5 mm



280-290 mm